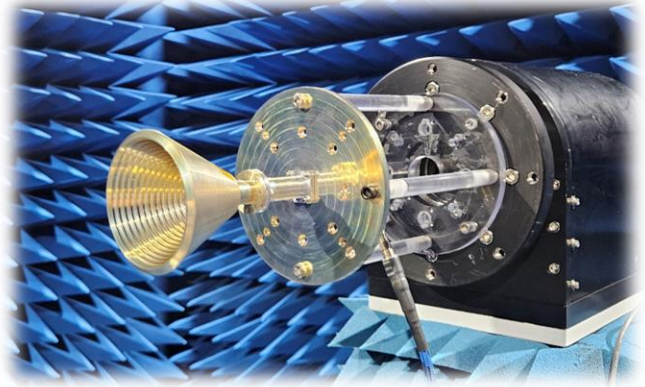


ANHS-KA200Q

Scalar Horn (H), 20 dBi Gain with Constant Beamwidth

Features

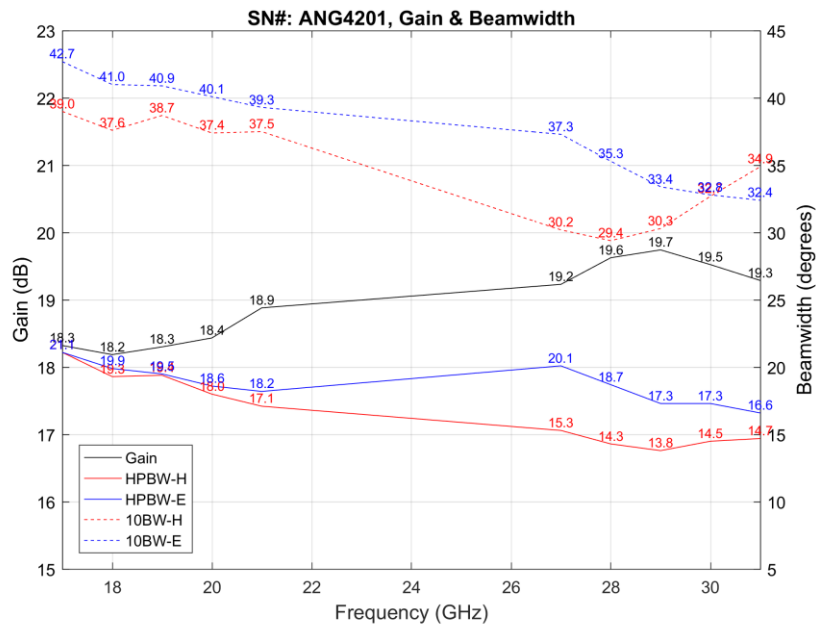
- Constant Beamwidth
- Excellent Beam Symmetry
- Low Sidelobe Level
- Ultra Broadband Operation



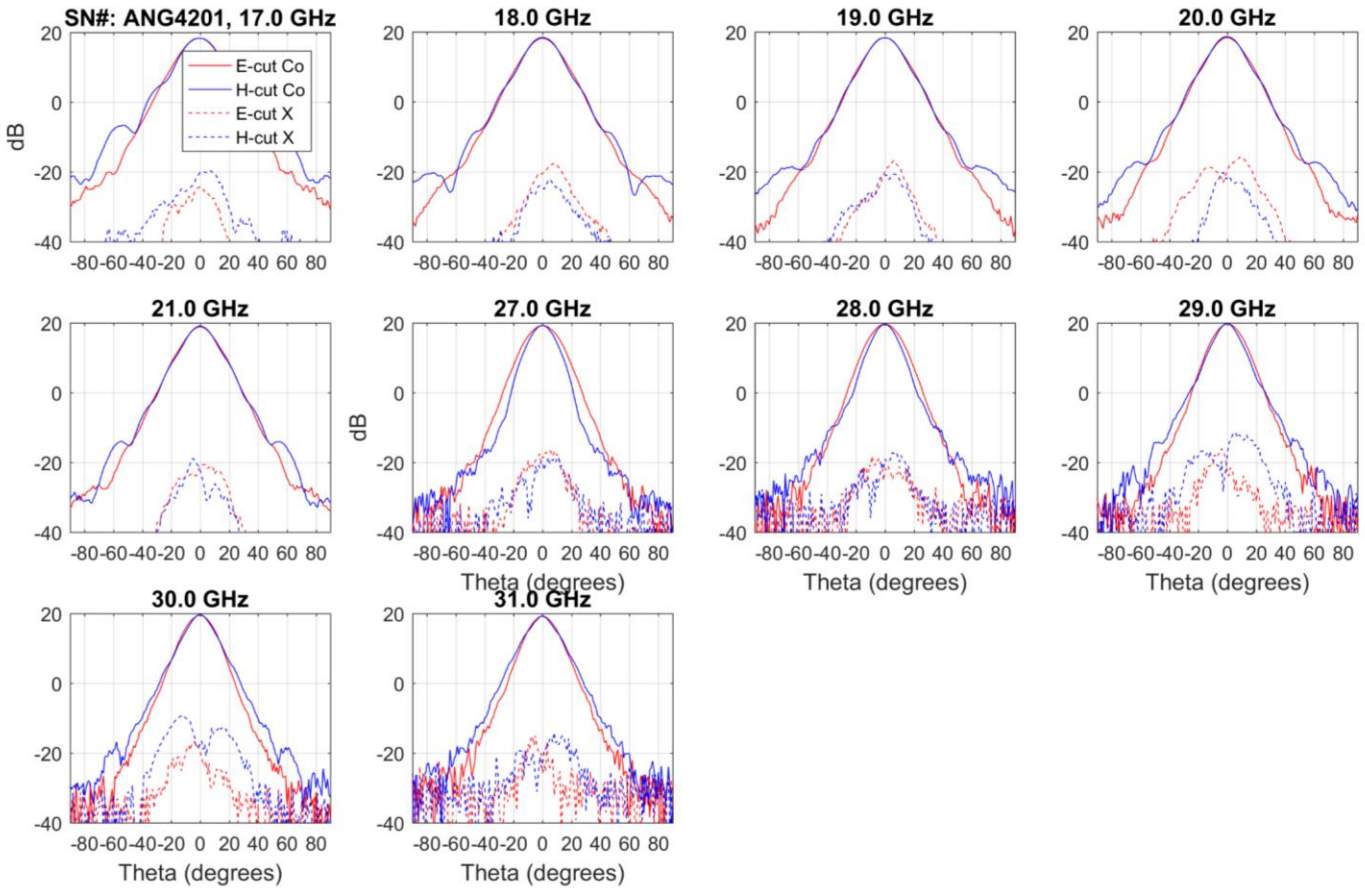
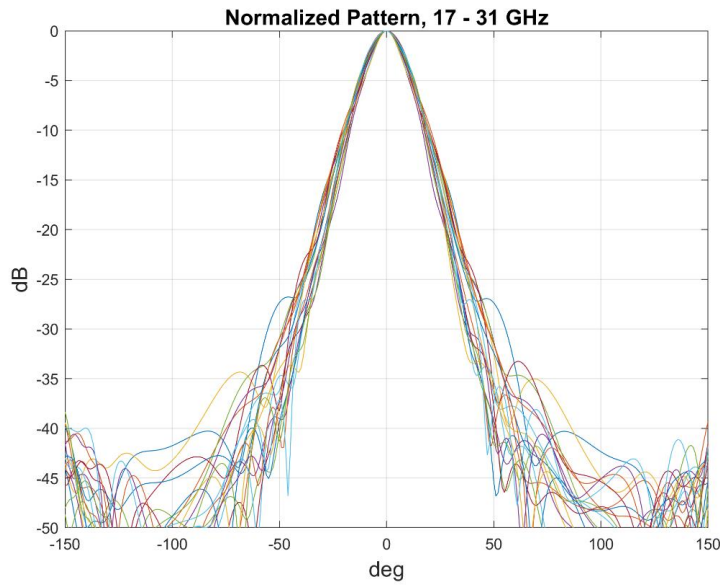
Electrical Specification

Frequency	17.0 – 21.0 & 27.0 – 31.0 GHz
Gain	20.0 dBi
Half Power Beamwidth	18.0 degrees
10 dB Half Angle BW Variation	5 degrees
Sidelobe Level	25 dB
Input Ports	Circular Waveguide Contact Raytech for more information
Flange	UG-425/U, Round

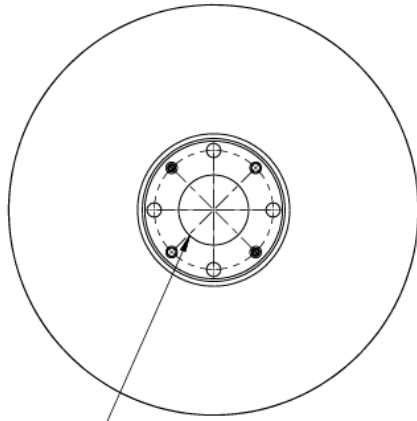
Electrical Specification



Radiation Pattern



Outline



Ø .XXX, UG-425/U
CONTACT RAYTECH
FOR DETAIL INFORMATION

